

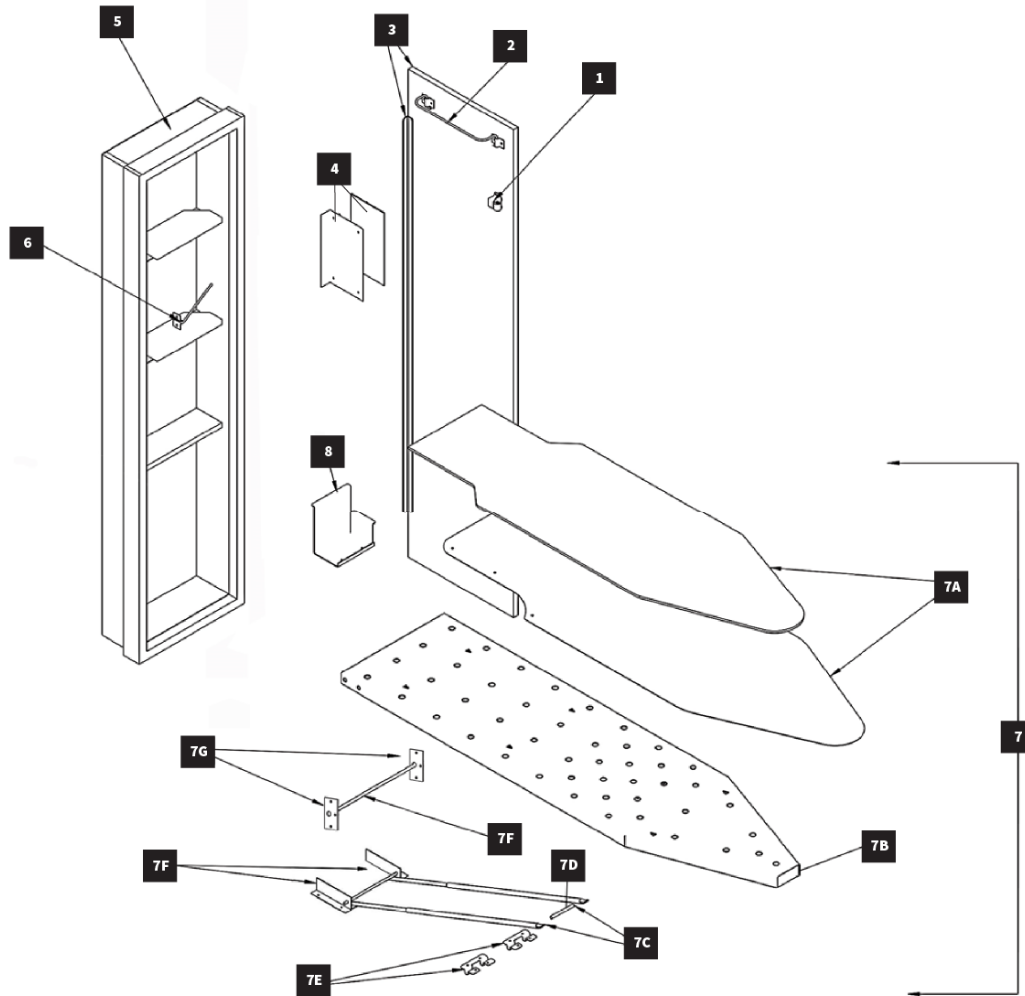


Iron-A-Way®

NE-46 PARTS DIAGRAM

To order service parts,
please call us at 1-800-536-9495

Parts available for purchase at www.ironaway.com



| # | PART # | DESCRIPTION |
|----|--------|--------------------------------------|
| 1 | 001504 | Roller Catch Assembly |
| 2 | 001541 | Garment Bar |
| 3 | 000671 | 60" Flat Maple Veneer Door w/Hinge |
| | 001502 | 49" Hinge Assembly |
| | 000670 | 60" Flat Maple Veneer Door w/o Hinge |
| 4 | 001424 | Fireproof Paper & Heat Shield |
| 5 | 000729 | 60" Painted Cabinet |
| 6 | 001539 | LH Board Retainer Assembly |
| 7 | 001571 | 46" Board Assembly |
| 7A | 001500 | Cover/Pad Set |
| 7B | 001552 | 46" Covered Board |
| 7C | 001514 | Double Leg Assembly |
| | 000852 | Double Male Leg |
| | 000853 | Double Female Leg |
| 7D | 000809 | 8 9/16" x 1/4" Insert Pair |
| 7E | 001508 | Leg Holding Bracket Assembly |
| 7F | 001568 | Bottom Leg Bracket Assembly |
| 7G | 001513 | V5 Pivot Plates |
| 7H | 000817 | 12 3/4" x 5/16" Axle Rod |
| 8 | 001542 | Hot Iron Rest |