



# Surface Mount Fixed Position Non-Electric Ironing Center | IAW-42

Product Specification Packet

February 2021

## Product Dimensions

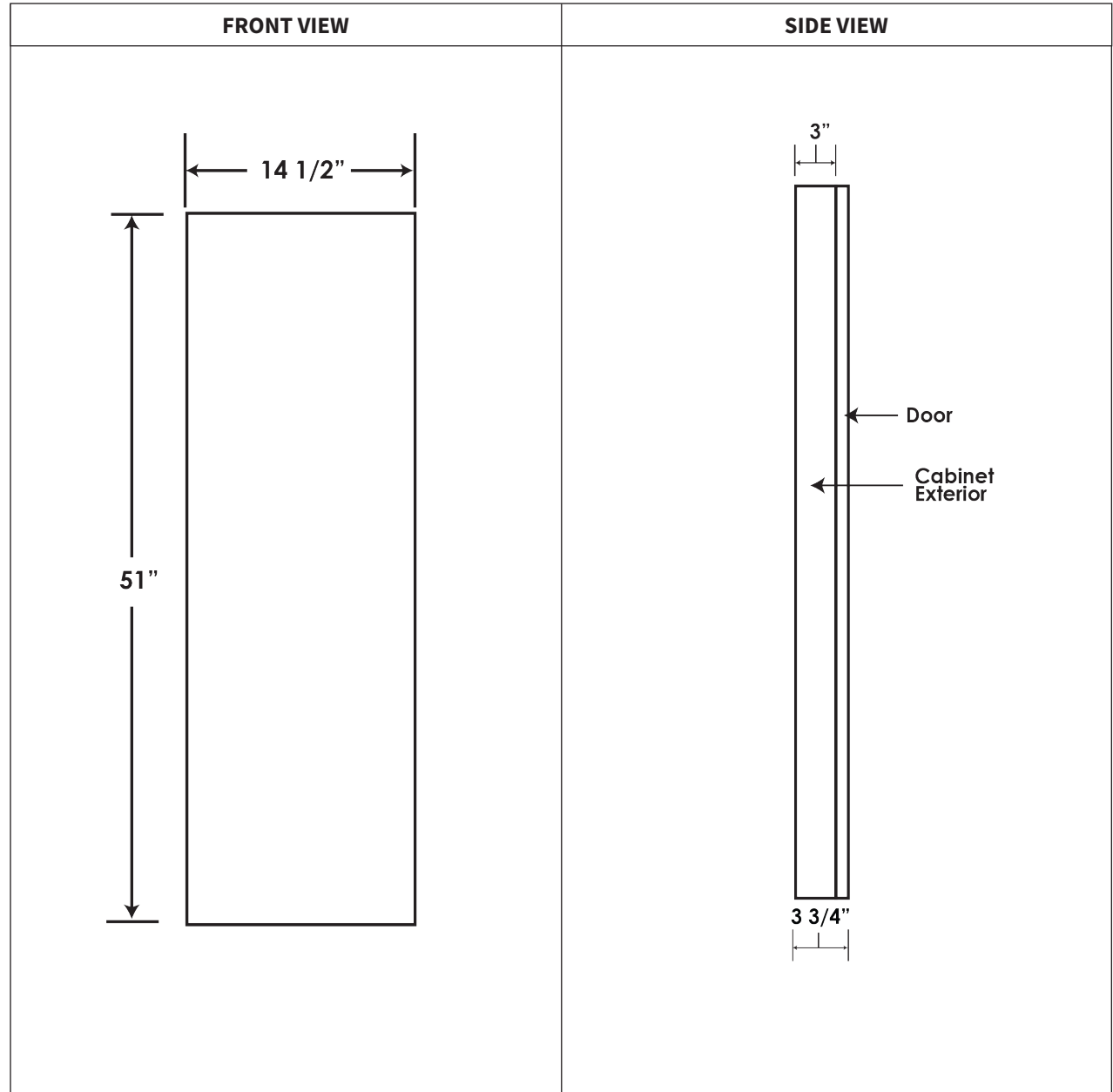
OVERALL SIZE	
Cabinet Height	51"
Cabinet Width	14 1/2"
Cabinet Depth*	3 3/4"
Door Size	51" H x 14 1/2" W x 3/4" D
ROUGH-IN OPENING**	
Height	51"
Width	14 1/2"
Depth*	3 3/4"
DEPTH INTO ROOM	
Surface Mount*	3 3/4"
Recessed**	Custom

\* Depth includes door

\*\* Recessing model IAW-42 is considered a custom installation & requires special Blum hinges (sold separately)

## Installation Heights

MOUNTING HEIGHT ABOVE FLOOR	DESIRED IRONING HEIGHT
29"	36"
28"	35"
27"	34"
26"	33"
25"	32"



## Swivel Clearance Requirements

Minimum required space for the ironing board to lower completely and swivel without hitting an obstacle.

	SURFACE MOUNT	RECESSED MOUNT**
1. Clearance from Wall to Tip of Board	43 1/3"	40 1/4"
2. Hinge Side Clearance for 180° Degree Door Swing	16"	16"

\*\* Recessing model IAW-42 is considered a customer installation & requires special Blum hinges (sold separately)

## For Further Review

### 1. Space required for board to come down flat

To ensure a flat and level ironing surface, be sure to that you have a full 43 1/3" in front of the desired installation location when surface mounting. When doing a custom, recessed application, ensure there is 40 1/4" clearance.

### 2. Recommended 16" on hinge side for full 180° door swing

While not required, we recommend 16" on hinge side to allow the door to open fully against the wall, ensuring optimal standing area when ironing.

## Items to Note:

### Recommended Standing Room Clearance

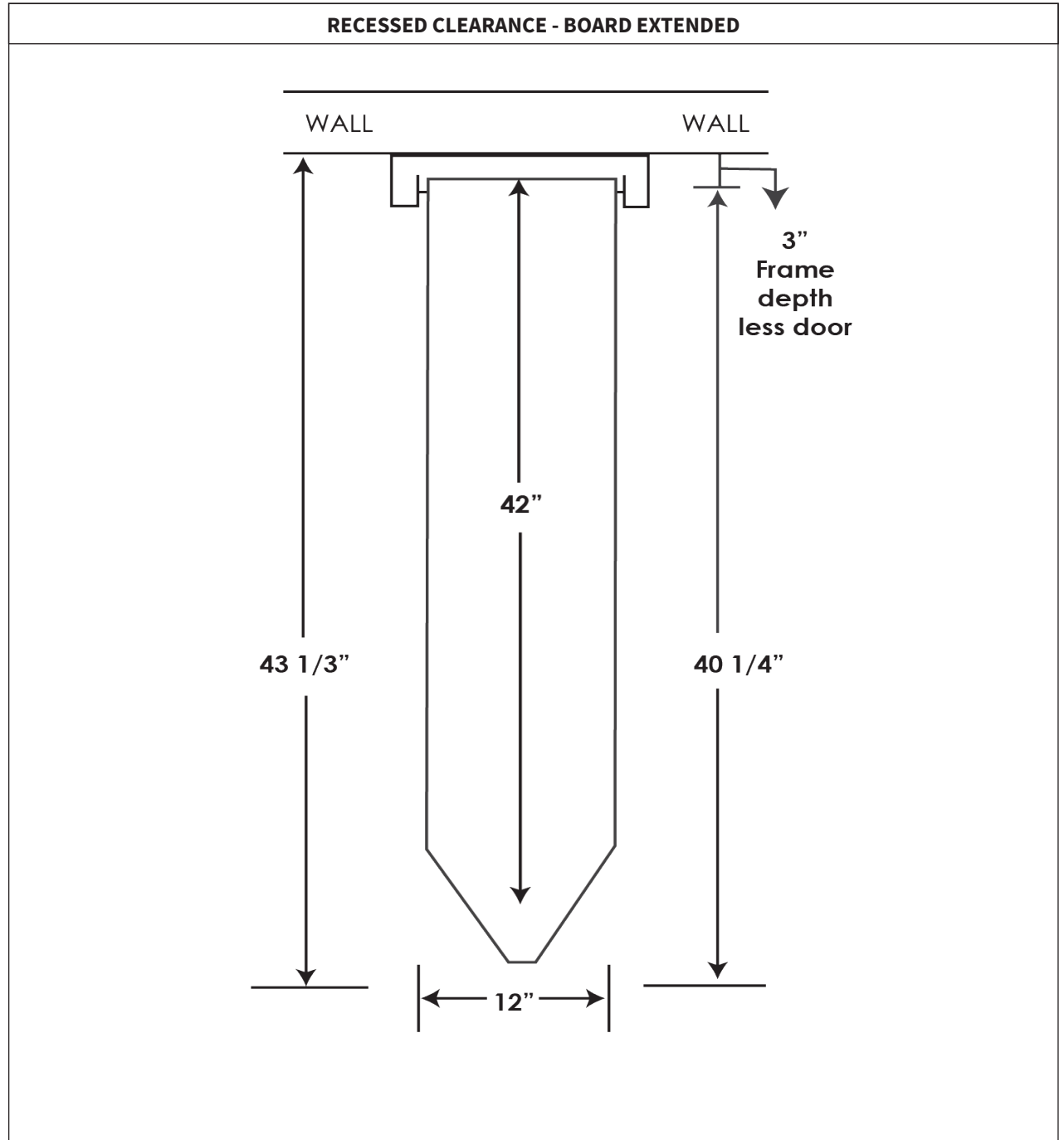
Be sure to check that you have adequate standing space (at least 24") to stand beside the ironing board to iron.

### Installation Heights

Use the provided [Installation Height Chart](#) on page 1 to determine your desired ironing board height,

### Hinge Side

Unit comes standard with the hinge on the right. A left side hinge can be requested when placing order.



## Items to Note - Continued:

### Installation Types

#### *Surface Mount*

Installed directly onto the wall, with no cutout, centered and anchored on secure stud. Will protrude 3 3/4" into room.

#### *Recessed*

Considered a custom application, recessing the IAW-42 for a flush mount application is entirely dependent on the location being used and the hinges. Recessed applications require trim or finishing of rough wall edges as ironing center does not include a face frame.

Blum Hinges are **required for a complete flush mount** installation and can be requested at time of order.

To use the standard piano hinge, ironing center must protrude 1 1/2" into the room for the hinge to work properly.

### Door

Ironing center comes standard with a flat maple veneer door and a variety of additional door options. Door opens approximately 180°, flush against the wall. Please be sure to allow 16" to the side of unit for the door to open fully open.

### Unfinished Cabinet

The exterior of the cabinet is unfinished and ready to be painted or stained to match existing decor.

*When ordered with a Flat White Door the cabinet exterior will also be finished in a white melamine.*

