

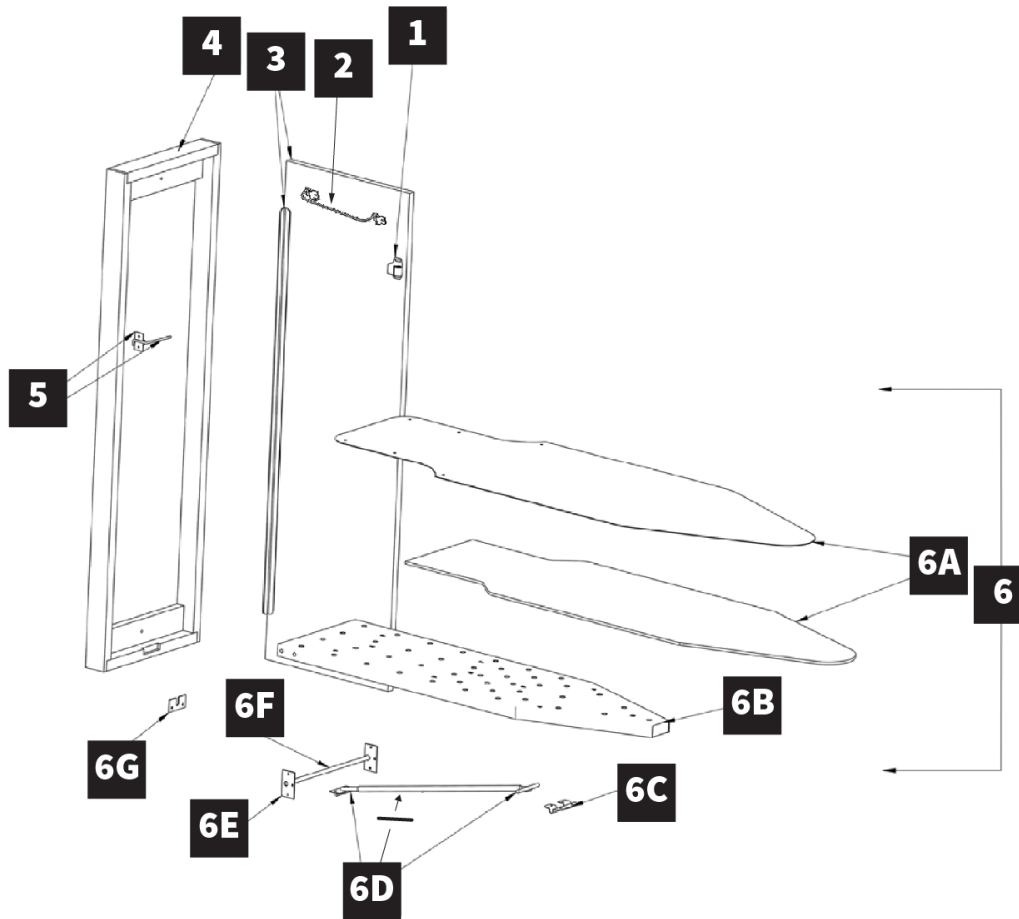


Iron-A-Way®

IAW-42 PARTS DIAGRAM

To order service parts,
please call us at 1-800-536-9495

Parts available for purchase at www.ironaway.com



#	PART #	DESCRIPTION
1	001504	Roller Catch
2	001541	Garment Bar
3	000772	51" x 14 1/2" Flat Maple Veneer Door w/Hinge
	01503	39" Hinge
	000771	51" x 14 1/2" Flat Maple Veneer Door w/o Hinge
4	001541	51" Painted Cabinet
5	001539	LH Board Retainer
6	001518	42" Board Assembly
6A	001500	Cover/Pad
6B	001550	42" Covered Board
6C	001508	Leg Bracket Assembly
6D	001515	Single Leg Assembly
	000854	Single Male Leg
	000855	Single Female Leg
	000807	IAW Insert
5E	001513	V5 Pivot Plates
5F	000817	12 3/4" x 5/16" Axle Rod
5G	001512	V4 Cover Plate