



## ANE-46 Clearance Check List

Important questions to consider prior to the purchase or installation of model ANE-46

- Do you have 50 7/8" in front of the unit for the board to drop down completely?**

Because the ironing board needs to clear the sides of the cabinet before it can swivel, the board needs to be able to drop down all the way to engage the swivel mechanism, requiring 50 7/8" in front of the recessed unit. [when surface mounting, please allow 54 3/4" for clearance].

- Do you have 16 7/8" on both sides of the unit to engage the 180° degree swivel?**

Because the swivel mechanism is positioned under the middle portion of the ironing board, you will want to ensure proper clearance on both sides of the unit, regardless of which direction you will be swiveling the board.

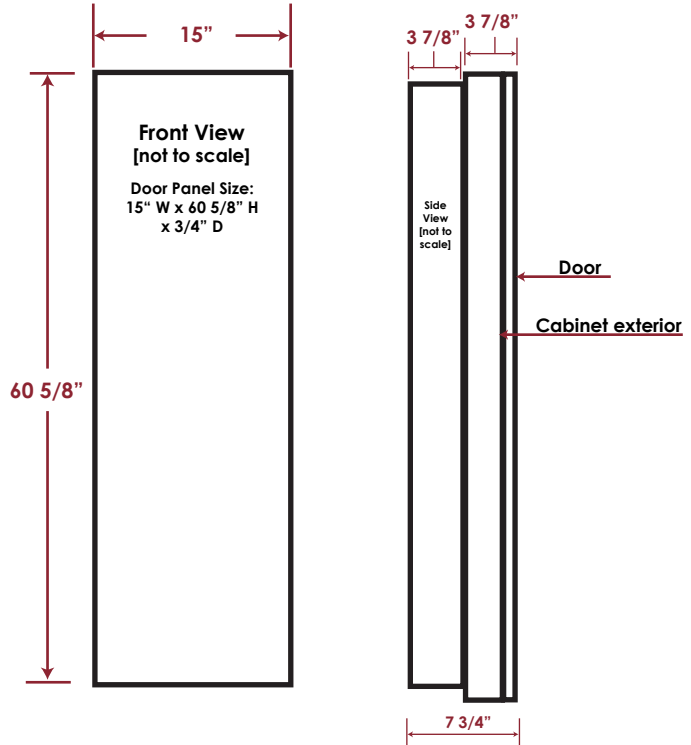
Minimum requirement for board to swivel one direction is 16 7/8" on one side and 14 7/8" on the other.

- Do you have 16" on the hinge side in order for the door to fully open?**

The door needs to open flush against the wall in order for the swivel to freely turn left or right, requiring 16" on the hinge for a flush open.

- Do you have at least 24" on ironing side for standing room?**

Be sure to check that you have adequate standing space (at least 24") to stand beside the unit to iron.



### Product Dimensions

**Overall Size:**  
 Height 60 5/8"  
 Width 15"  
 Depth\* 7 3/4"

**Rough-In Opening:**  
 Height 59 7/8"  
 Width 14 3/8"  
 Depth\* 3 7/8"

**Unit Depth Extending Into Room\*:**  
 Recessed 3 7/8"  
 Surface Mount 7 3/4"

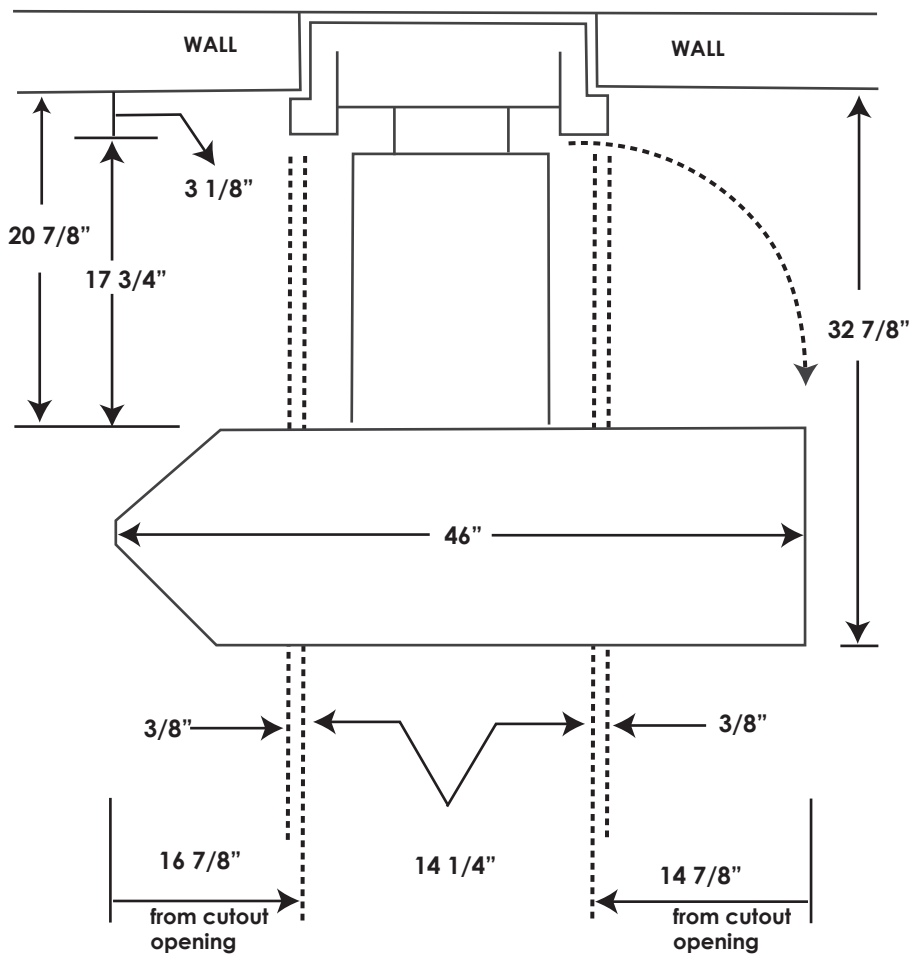
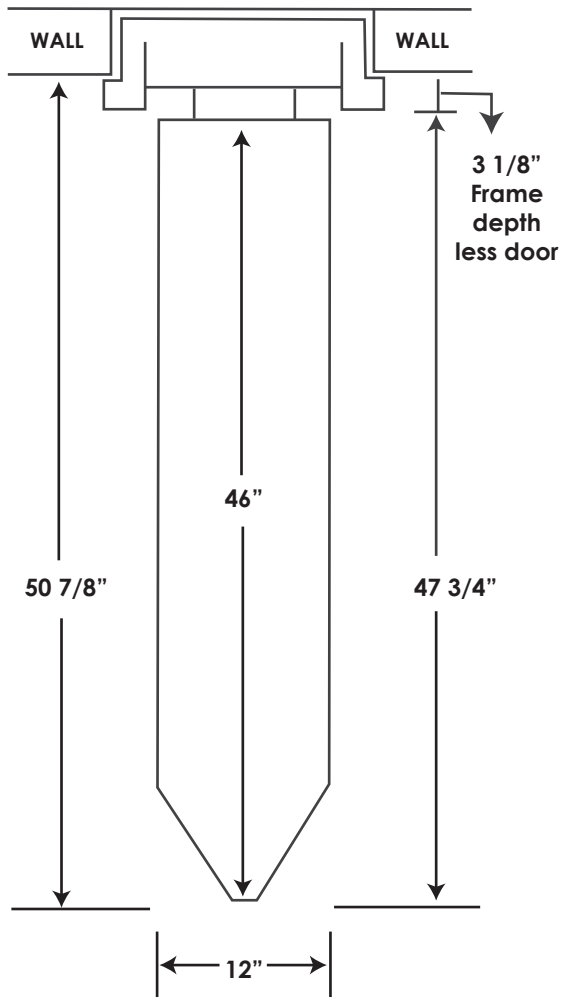
**Unit Overlap Distance when Recessing: 3/8"**

\*Depth includes door

### Installation Heights

Mounting Height Above Floor	Desired Ironing Height	Adjusted Position
24"	37"	41"
23"	36"	40"
22"	35"	39"
21"	34"	38"
20"	33"	37"
19"	32"	36"
18"	31"	35"

Note: The ironing board automatically engages to lower position each time the board is lowered for use. Higher position requires adjustment and engages back to low position each time the board is put away.



## Items to Note:

### Installation Height:

Use the provided Installation Height Chart on the previous page to determine your desired ironing board height, making note of the 4" adjustment. The board can be adjusted after the board is lowered to a 4" higher position.

### Installation types:

**Recessed:** Placed into the wall, between 16" on center studs, protruding 3 7/8" into the room. It is recommended to attach a 2" x 4" cleat to studs, level with bottom of the opening to support cabinet when installing.

**Surface Mount:** Installed directly onto the wall, with no cutout, centered and anchored on secure stud. Will protrude 7 3/4" into room. Optional surface mount kit is available to finish sides of unit and recommended for complete installation. When surface mounting Electrical Models, use the knockout on the back of the electrical raceway rather than the top, to run the conduit into the unit. This will also require drilling a hole through the backboard for access.

### Door:

Ironing center comes standard with a flat maple veneer door and a variety of additional door options. Door opens approximately 180°, flush against the wall. Please be sure to allow 16" to the side of unit for the door to open fully open.

### Swivel:

Swivel allows board to turn 90° in either direction, for a full 180° swivel, with five stopping positions

### Hinge Side:

Unit comes standard with the hinge on the right. A left side hinge can be requested when placing order.