

Iron-A-Way®

IRONING CENTER INSTALLATION MANUAL

SUPPLIED PARTS

SWIVEL MODELS

AE-46 ANE-46 AE-42 ANE-42 UD-42

RECESSED INSTALLATION

#10 x 1 1/2" Wood Screws (2)

#14 x 2 1/2" Philips Screws (2)

SURFACE MOUNT INSTALLATION

#14 x 4" Wood Screws (2)

NON-SWIVEL MODELS

E-46 NE-46 E-42 NE-42 IAW-42

RECESSED INSTALLATION

#10 x 1 1/2" Wood Screws (4)

SURFACE MOUNT INSTALLATION

#14 x 4" Wood Screws (2)

IAW-42 ONLY

#14 x 2 1/2" Wood screws (2)

TOOLS NEEDED

- ✓ Carpenter's Level
- ✓ Tape Measure
- ✓ Utility Knife
- ✓ Drill
- ✓ 1/8" Drill Bit
- ✓ 3/16" Drill Bit
(Surface Mount Installation)
- ✓ Small Flat Head Screwdriver
- ✓ Safety Glasses

Optional:

- ✓ Stud Finder
- ✓ 1/4" Nut Driver

Quick Reference:

Swivel Models

pg. 2 | Pre-Installation
pg. 3 | Recessed Mount
pg. 4 | Surface Mount
pg. 7 | Electrical

Non-Swivel Models

pg. 2 | Pre-Installation
pg. 5 | Recessed Mount
pg. 6 | Surface Mount
pg. 7 | Electrical

Iron-A-Way

1-800-536-9495

support@ironaway.com

220 W. Jackson, Morton, IL 61550

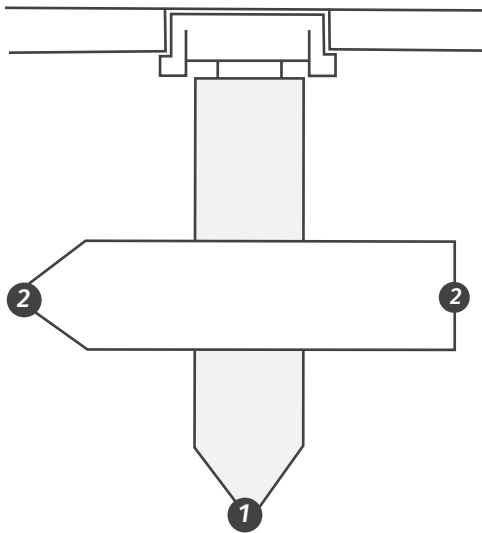
PRE-INSTALLATION

Please follow these Pre-Installation steps to ensure your ironing board will work properly in the installation location you have selected.

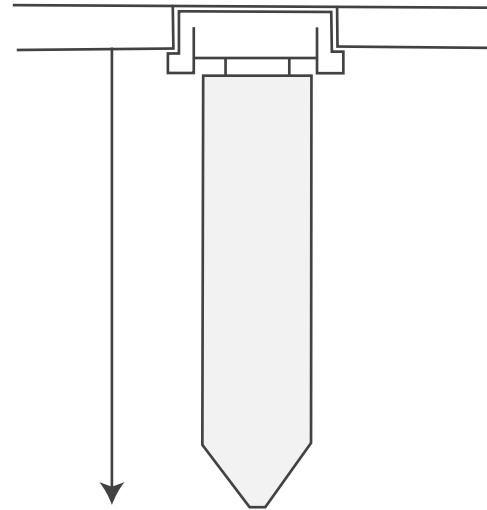
STEP ONE: Ironing Board Clearance

Begin by ensuring your desired installation location has adequate space for your selected model. Choose *Recessed Mount* or *Surface Mount*.

SWIVEL MODELS		AE-46 ANE-46	AE-42 ANE-42	UD-42
1 Distance from wall to tip of board	<i>Recessed Mount</i>	51"	47"	47"
	<i>Surface Mount</i>	55"	52"	52"
2 Clearance on both sides of cabinet for board to fully swivel		16"	15"	15"



NON-SWIVEL MODELS		E-46 NE-46	E-42 NE-42	IAW-42
Distance from wall to tip of board	<i>Recessed Mount</i>	46"	42"	
	<i>Surface Mount</i>	51"	46"	43 1/4"



STEP TWO: Standing Room & Door Clearances

It is recommended to have **16" on hinge side** for the door to open flush against the wall and move out of the way of the board. This is **a requirement for swivel models** so that the board has clearance to turn.

For comfortable standing room to iron, **we recommend 24" clearance** on the desired ironing side.

STEP THREE: Prepare Location

After identifying your installation location, use a stud finder to locate necessary studs. Locate existing wiring or utilities to prevent drilling into or severing wires.

ADJUSTABLE SWIVEL RECESSED MOUNT INSTALLATION

Models | AE-46, ANE-46, AE-42, ANE-42, UD-42

STEP ONE: Determine Mounting Height

Identify your desired ironing board height (typical ironing board is 33"-35" high). Then subtract the number below based on the length of your model's ironing board to determine mounting height (FIG 1.1). Take into consideration the adjusted position of your ironing board, which is 4" higher than the normal, default position.

46" Boards: 11"

Ex: Desired Height 35" - 11" = 24" Mounting Height

42" Boards: 7"

Ex: Desired Height 35" - 7" = 28" Mounting Height

UD-42: 16"

Ex: Desired Height 30" - 16" = 14" Mounting Height

STEP TWO: Cut Rough-In Opening

Beginning with the mounting height determined in Step One, cut an opening in the wall based on dimensions given below for your specific model:

46" Boards: 59 7/8" H x 14 3/8" W x 3 7/8" D

42" Boards: 51 1/4" H x 14 3/8" W x 3 7/8" D

UD-42: 59 7/8" H x 14 3/8" W x 3 7/8" D

Next, attach a 2" x 4" cross support cleat between studs, level with bottom of opening (FIG 1.2)

STEP THREE: Pre-Drill Holes

Using an 1/8" drill bit, pre-drill holes in the side walls of the cabinet under the first cleat near the top (1 hole for each side), 2 1/2" from the back wall.



MODELS AE-46, AE-42, & UD-42:

PLEASE REFER TO ELECTRICAL INSTRUCTION ON PG. 7 BEFORE PROCEEDING.

STEP FOUR: Place Unit In The Wall

Carefully lift and place unit into the wall opening. Plumb and level the cabinet, shimming to fit if necessary.

STEP FIVE: Secure Top of Cabinet

Using pre-drilled holes from Step Three, attach cabinet to studs with two #10 x 1 1/2" provided screws for top installation.

STEP SIX: Secure Bottom of Cabinet

Locate swivel brackets near bottom of cabinet and remove top screws only from both sides. Pre-drill pilot hole into bracket and replace with two #14 x 2 1/2" provided screws (FIG 1.3). This will provide anchoring for your swivel.

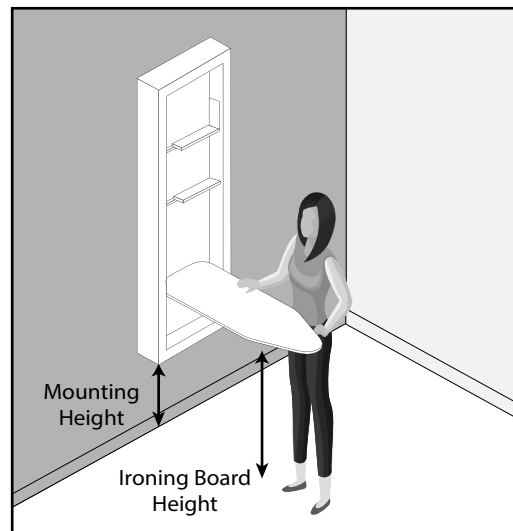
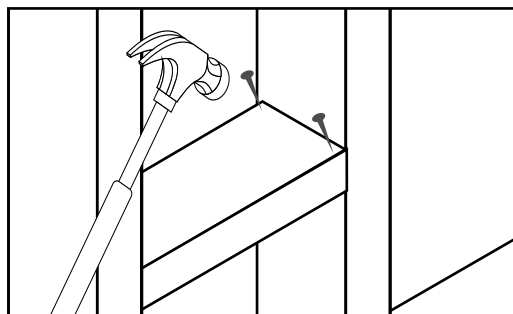


FIGURE 1.1



Drywall not shown.

FIGURE 1.2

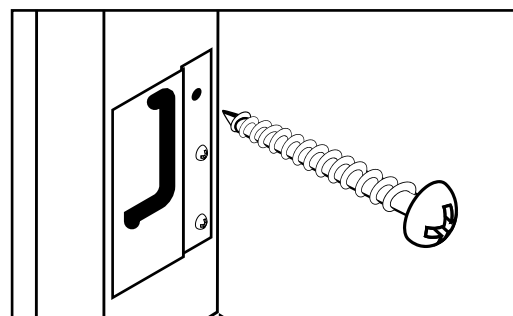


FIGURE 1.3

PRO TIPS:

Electrical

If installing an electrical unit, remove electrical raceway before pre-drilling top installation holes for easier access.

Wall Irregularities

Decorative trim may be added to cover any irregularities in the wall after installation

INSTALLATION COMPLETE!

ADJUSTABLE SWIVEL SURFACE MOUNT INSTALLATION

Models | AE-46, ANE-46, AE-42, ANE-42, UD-42

STEP ONE: Determine Mounting Height

Identify your desired ironing board height (typical ironing board is 33"-35" high). Then subtract the number below based on the length of your model's ironing board to determine mounting height (FIG 2.1). Take into consideration the adjusted position of your ironing board, which is 4" higher than the normal, default position.

46" Boards: 11"

Ex: Desired Height 35" - 11" = **24" Mounting Height**

42" Boards: 7"

Ex: Desired Height 35" - 7" = **27" Mounting Height**

UD-42: 16"

Ex: Desired Height 30" - 16" = **14" Mounting Height**

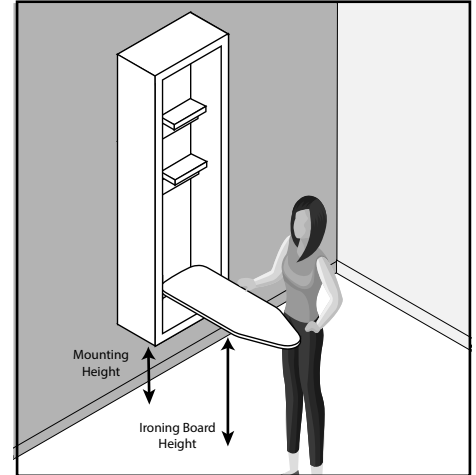


FIGURE 2.1

STEP TWO: Locate Stud & Pre-Drill Holes

Locate and mark stud on wall. Cut two 2" x 4" braces to the desired mounting height to use for bracing the unit for installation.

Using 3/16" drill bit, pre-drill hole into the center of the top cleat of cabinet.

With 2" x 4" braces in place for support (FIG 2.2), place unit on wall, centering with desired stud.

Mark the location for mounting by placing the drill bit through the pre-drilled hole in cabinet. Dimple the wall by lightly pushing the drill bit into the dry wall. Set unit aside, then adjust location if not centered on stud, and pre-drill hole in wall for mounting.



FIGURE 2.2



MODELS AE-46, AE-42, & UD-42:

PLEASE REFER TO ELECTRICAL INSTRUCTION ON PG. 7 BEFORE PROCEEDING.

STEP THREE: Install Unit On Wall

Partially insert one #14 x 4" screw into the pre-drilled cabinet hole. Then, using 2" x 4" braces, place unit back on the wall (FIG 2.2) and fully insert screw through cabinet cleat and into stud. Remove braces. Plum and level unit.

Using 3/16" drill bit, pre-drill hole through bottom cleat of cabinet into stud. Insert remaining #14 x 4" screw through cleat into stud to fully anchor the unit.

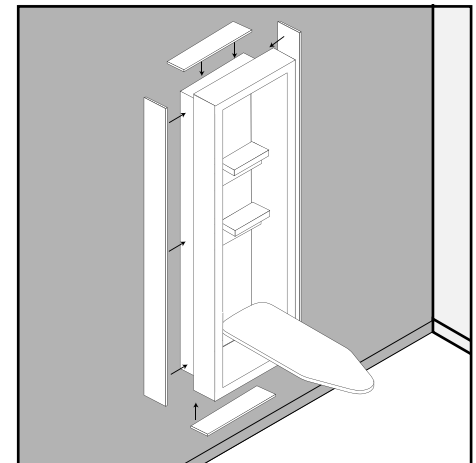


FIGURE 2.3

STEP FOUR: Apply Trim

Apply trim [not provided] to sides of cabinet to flush the side wall with the cabinet trim (FIG 2.3) to create a sleek look.

Note: May use custom trim or purchase Surface Mount Trim
Please call 1-800-536-9495 to order.

STEP FIVE: Anchor Swivel

Locate swivel brackets near bottom of cabinet and remove top screws only from both sides. Pre-drill pilot hole into bracket and replace with #14 x 1" screws [not provided] into holes (FIG 1.3). This will provide anchoring for your swivel.

Note: #14 x 1" screws available upon request. Please call us at 1-800-536-9495.

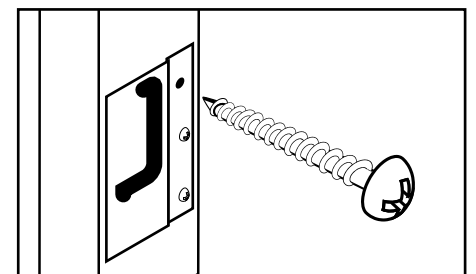


FIGURE 2.4

INSTALLATION COMPLETE!

NON-SWIVEL RECESSED MOUNT INSTALLATION

Models | E-46, NE-46, E-42, NE-42

STEP ONE: Determine Mounting Height

Identify your desired ironing board height (typical ironing board is 33"-35" high). Then subtract the number below based on the length of your model's ironing board to determine mounting height (FIG 1.1).

46" Boards: 11"

Ex: Desired Height 35" - 11" = **24" Mounting Height**

42" Boards: 7"

Ex: Desired Height 35" - 7" = **28" Mounting Height**

STEP TWO: Cut Rough-In Opening

Beginning with the mounting height determined in Step One, cut an opening in the wall based on dimensions given below for your specific model:

46" Boards: 59 7/8" H x 143 1/8" W x 3 7/8" D

42" Boards: 51 1/4" H x 14 3/8" W x 3 7/8" D

Next, attach a 2" x 4" cross support cleat between studs, level with bottom of opening (FIG 1.2).

STEP THREE: Pre-Drill Holes

Using an 1/8" drill bit, pre-drill holes in both side walls of the cabinet, under the top and bottom cleats (2 per side), 2 1/2" from the back wall.

! MODELS E-46 & E-42:
PLEASE REFER TO ELECTRICAL INSTRUCTION ON PG. 7 BEFORE PROCEEDING.

STEP FOUR: Place Unit In The Wall

Carefully lift and place unit into the wall opening. Plumb and level the cabinet, shimming to fit if necessary.

STEP FIVE: Secure Cabinet

Finally, using pre-drilled holes from step three, attach cabinet to studs with four #10 x 1 1/2" provided screws (FIG 1.3).

INSTALLATION COMPLETE!

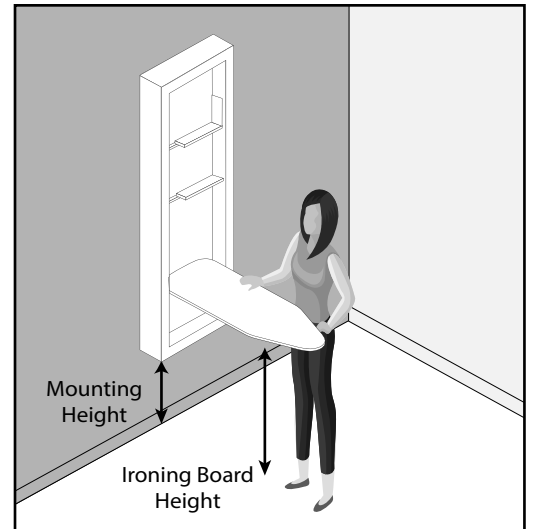
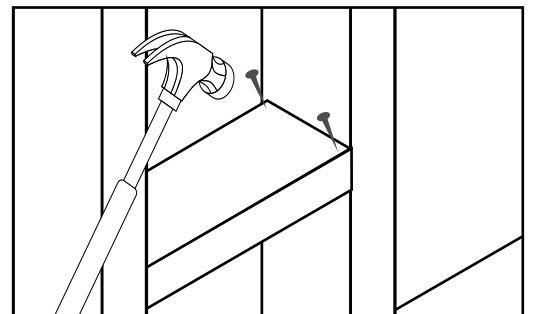


FIGURE 1.1



Drywall not shown.

FIGURE 1.2

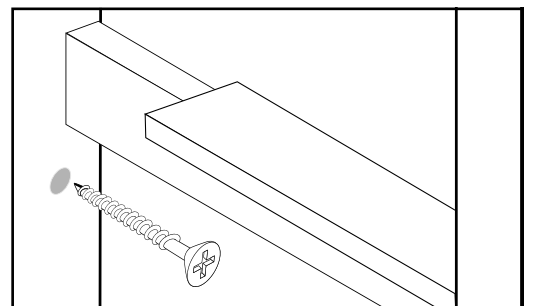


FIGURE 1.3

PRO TIPS:

Electrical

If installing an electrical unit, remove electrical raceway before pre-drilling top installation holes for easier access.

Wall Irregularities

Decorative trim may be added to cover any irregularities in the wall after installation.

NON-SWIVEL SURFACE MOUNT INSTALLATION

Models | E-46, NE-46, E-42, NE-42, IAW-42

STEP ONE: Determine Mounting Height

Identify your desired ironing board height (typical ironing board is 33"-35" high). Then subtract the number below based on the length of your model's ironing board to determine mounting height (FIG 2.1).

46" Boards: 11"

Ex: Desired Height 35" - 11" = 24" Mounting Height

42" Boards: 7"

Ex: Desired Height 35" - 7" = 28" Mounting Height

IAW-42: 7"

Ex: Desired Height 35" - 7" = 28" Mounting Height

STEP TWO: Locate Stud & Pre-Drill Holes

Locate and mark stud on wall. Cut two 2" x 4" braces to the desired mounting height to use for bracing the unit during installation.

Using a 3/16" drill bit, pre-drill hole into center of the top cleat of cabinet.

With 2" x 4" braces in place for support (FIG 2.2), place unit on wall, centering with desired stud.

Mark the location for mounting by placing the drill bit through the pre-drilled hole in cabinet. Dimple the wall by lightly pushing the drill bit into the dry wall. Set unit aside, then adjust location if not centered on stud, and pre-drill hole in wall for mounting.



MODELS E-46 & E-42:

PLEASE REFER TO ELECTRICAL INSTRUCTION ON PG. 7 BEFORE PROCEEDING.

STEP THREE: Install Unit On Wall

Partially insert one #14 x 4" screw into the pre-drilled cabinet hole. Then, using 2" x 4" braces, place unit back on the wall (FIG 2.2) and fully insert screw through cabinet cleat and into stud. Remove braces. Plum and level unit.

Using 3/16" drill bit, pre-drill hole through the center of the bottom cleat of cabinet into stud. Insert remaining #14 x 4" screw through cleat into stud to fully anchor the unit.

STEP FOUR: Apply Trim

Apply trim [not provided] to sides of cabinet to flush the side wall with the cabinet trim (FIG 2.3) to create a sleek look (excludes IAW-42).

Note: May use custom trim or purchase Surface Mount Trim from us directly. Please call 1-800-536-9495 for more information.

INSTALLATION COMPLETE!

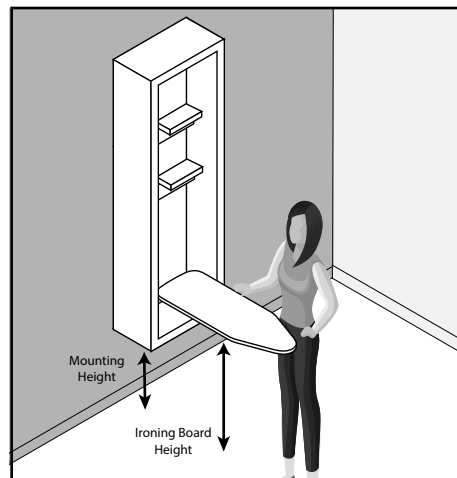


FIGURE 2.1

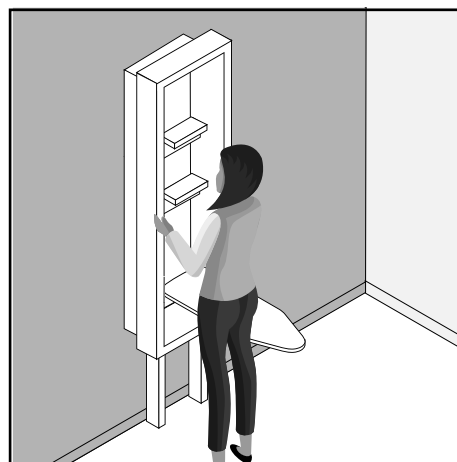


FIGURE 2.2

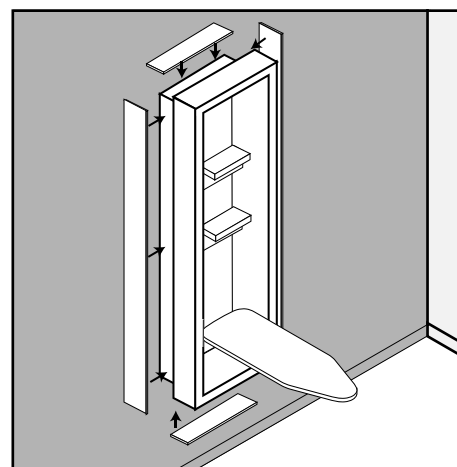


FIGURE 2.3

ATTENTION:
**TURN OFF POWER AT SERVICE ENTRANCE BEFORE
INSTALLING, WIRING, OR SERVICING THIS PRODUCT**

ITEMS TO NOTE

- Instructions for electrical models **ONLY**.
- **DO NOT attempt to install your own outlet or electrical hook-up on a non-electrical model.**
- All electrical work must be done in accordance with all applicable electrical codes.
- **SUPPLY LINE: 110 Volt/15 Amps**

STEP ONE: Prepare Electrical Raceway

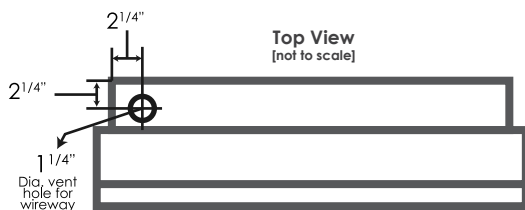
TURN POWER OFF AT SERVICE ENTRANCE.

Then, begin installation by removing the screws at the top and bottom of electrical raceway to access the inside.

STEP TWO: Remove Electrical Knockout

Locate and remove the knockout at the top of the raceway and install a 3/8" Romex connector in its location. *If surface mounting*, a vent hole will need be made through the back side of the cabinet, 24 1/2" down from top of cabinet, and 2 13/16" from cabinet left side.

Verify that there is ample supply wire (48" is recommended) available to run from the top of the ironing center to the location of the provided black and white pigtails.



STEP THREE: Prepare Raceway

Begin to place the ironing center into its location (supported by cleat if recessed or with the 2" x 4" braces if surface mounted) while feeding supply wire through the designated vent hole.



RETURN TO SWIVEL OR NON-SWIVEL INSTRUCTIONS TO COMPLETE INSTALLATION OF UNIT TO THE WALL. WHEN FINISHED, RETURN TO COMPLETE FINAL STEPS HERE.

STEP FOUR: Connect Electrical Wires

A black and white pigtail are provided for electrical hook-up located near bottom of raceway. Connect supply wires to these pigtails.

DO NOT attempt to connect to any other location inside the electrical raceway. Doing so will cause the electrical features to malfunction.

A green ground wire is provided and secured with a star washer to the back of the electrical channel. Connect your own ground to that location or attach to the location opposite the existing ground and add your own star washer.

STEP FIVE: Reinstall Raceway

Re-install electrical raceway by placing screws into the top and bottom hole, being sure that no wires are pinched.

Turn power back on at service entrance and verify that all electrical components are working properly. When the timer is powered on, the red pilot light should come on, indicating power is flowing through the unit.

INSTALLATION COMPLETE!



Have installation questions?

We're here to help!

1-800-536-9495

support@ironaway.com

Monday-Friday, 8am-4pm CST